

Lead Free Brass Ball Valve

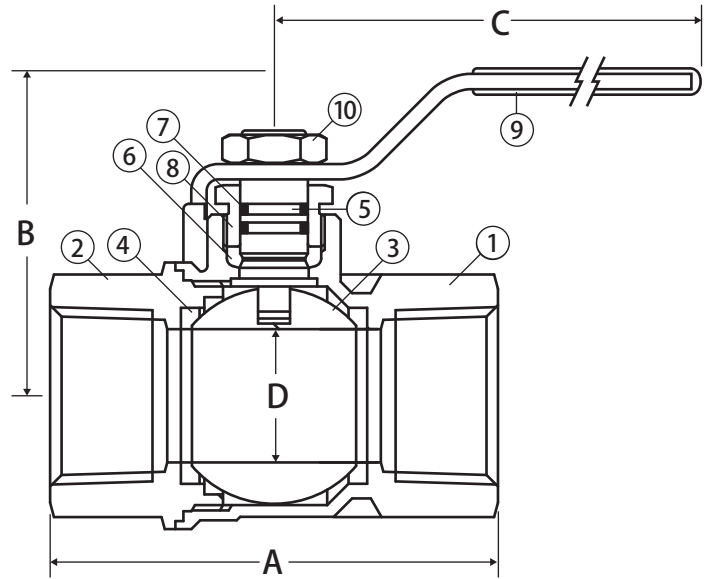


2 Piece • Full Port • Threaded Connection • 600 WOG



T-100C

CRN# 0C16887.5469870YTN



Features

- Compact design
- Triple sealing stem with 2 Viton® o-rings and Teflon® seal
- Blow-out proof stem
- 100% leak tested
- 100% Made in Italy
- Leakproof stem - Lifetime Warranty
- 29 in-Hg vacuum rating
- Wetted surfaces contain less than .25% lead content
- Accessories available

Approvals

- UL Listed (1/2" - 2")
 - VQGU - Trim & drain (US only)
 - MHKZ - Manual valves
 - YQNZ - Compressed gas shut-off valves
 - YRBX - Flammable liquid shut-off valves
 - YRPV - Gas shut-off valves
 - YSDT - LP gas shut-off valves
 - SFJQ - Valves, refrigerant
- NSF 372
- NSF 61-8
- NSF 61 - Annex G
- CSA Certified
 - ANSI Z21.15 (.5 PSIG)
 - ASME B16.44 (5 PSIG)
 - CGA CR91 (5 PSIG)
- FM Approval
- MSS SP-110
- ANSI B1.20.1

Material Specifications

No.	Part	Materials
1	Body	Lead Free Brass - CW510L
2	End Connection	Lead Free Brass - CW510L
3	Ball	T.E.A. Coated Brass - CW510L
4	Seat (2)	Hostaflo® TFM 1600
5	Stem	Lead Free Brass - CW510L
6	Packing	Hostaflo® TFM 1600
7	Stem O-ring (2)	Viton®
8	Packing Gland	Brass - CW614N
9	Handle	Steel - Geomet® Plated
10	Handle Nut	Steel - Geomet® Plated

Dimensions

Part No.	Size	A	B	C	D	Cv
100-403G	1/2"	2.00	1.53	2.95	0.59	16.82
100-404G	3/4"	2.34	1.95	3.74	0.79	34.80
100-405G	1"	2.67	2.40	4.75	0.97	52.20
100-406G	1-1/4"	3.22	2.59	4.75	1.23	112.52
100-407G	1-1/2"	2.68	3.22	6.00	1.49	174.00
100-408G	2"	4.29	3.40	6.00	1.99	255.20
100-409G	2-1/2"	6.06	4.60	8.00	2.46	350.32
100-410G	3"	7.08	4.90	8.00	2.99	563.76
100-411G	4"	8.57	5.90	9.88	4.00	879.28

Valve Seat Rating

1/4" - 3/4" 600 WOG, 1" - 2" 500 WOG - 150 WSP

